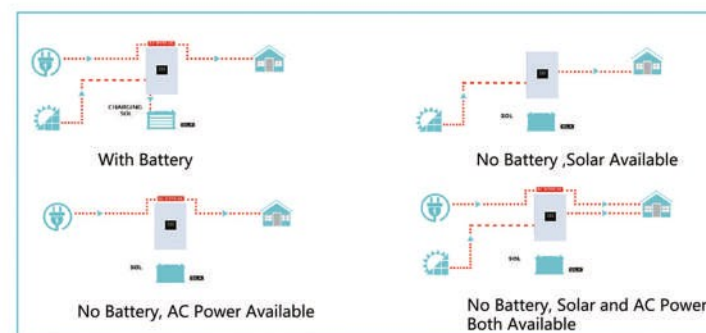
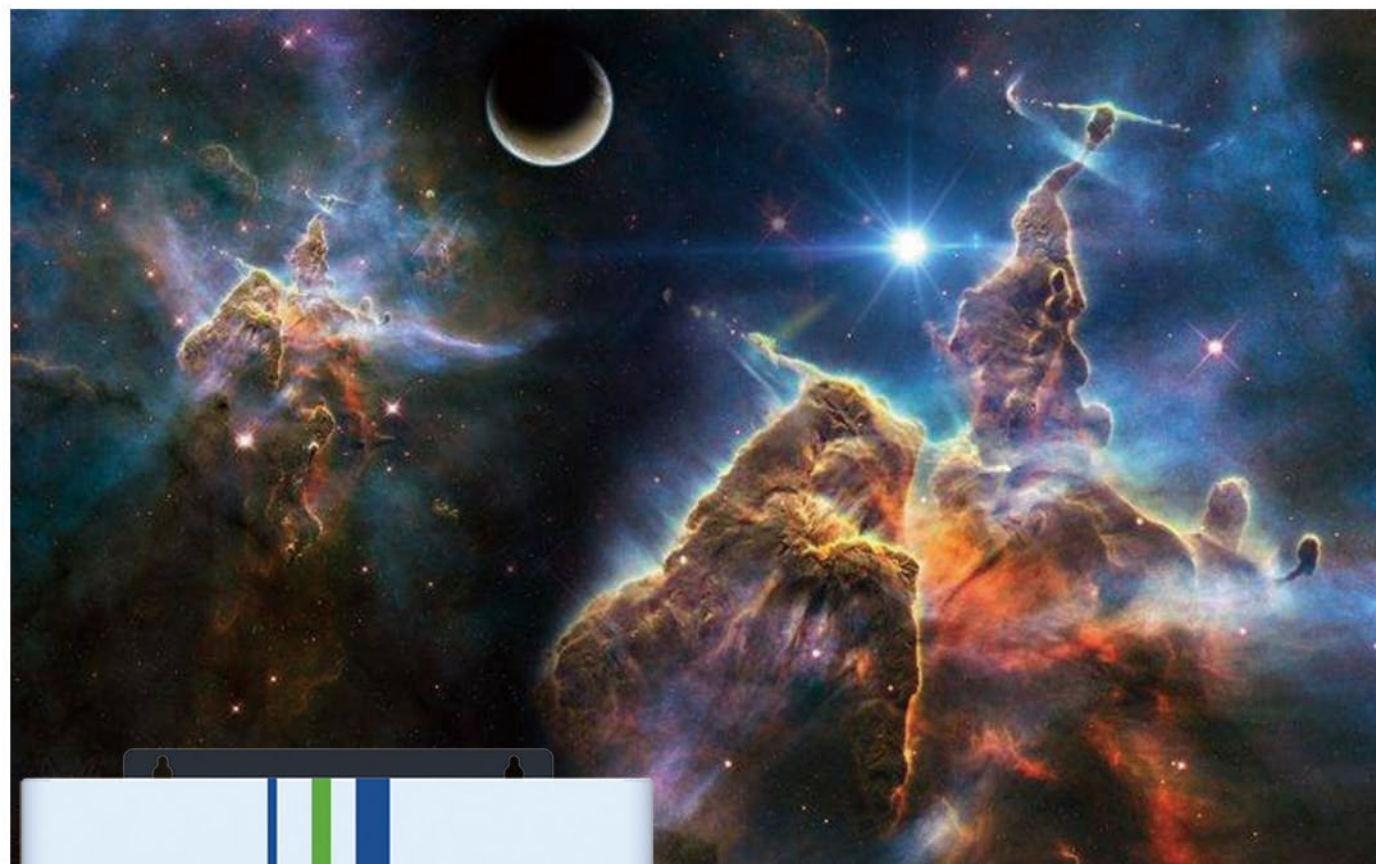


# HYBRID OFF GRID INVERTER

## XTHF3500 /5000 PRO



Datasheet	XTHF3500PRO	XTHF5000PRO
Battery Voltage	48VDC	
Battery Type	Lithium/Lead-acid	
<b>INVERTER OUTPUT</b>		
Rated Power	3500VA/ 3500W	5000VA/ 5000W
Parallel Capability	Yes, 6 units maximum	
AC Voltage Regulation (Battery Mode)	230VAC $\pm$ 5% @ 50/60Hz	
Surge Power	7000VA	10000VA
Efficiency (Peak)	93%	
Waveform	Pure sine wave	
Transfer Time	10ms typical, 20ms Max	
<b>SOLAR CHARGER</b>		
Maximum PV Array Power	4500W	6000W
MPPT Range @ Operating Voltage	120VDC ~ 430VDC	
Number of Independent MPP Trackers/ Strings Per MPP Tracker	1/1	
Maximum PV Array Open Circuit Voltage	450VDC	
Maximum Solar Charge Current	80A	100A
<b>AC CHARGER</b>		
Charge Current	60A	80A
AC Input Voltage	230 VAC	
Selectable Voltage Range	170-280 VAC (For Personal Computers) ; 90-280 VAC (For Home Appliances)	
Frequency Range	50Hz/60Hz (Auto sensing)	
<b>PHYSICAL</b>		
Protection Degree	IP20	
Dimension (W/H/D)	330/485/135mm	330/485/135mm
Net Weight	11.5kgs	12kgs
<b>OPERATING ENVIRONMENT</b>		
Humidity	5% to 95% Relative Humidity(Non-condensing)	
Altitude	<2000m	
Operating Temperature	0°C - 55°C	
Storage Temperature	-15°C - 60°C	